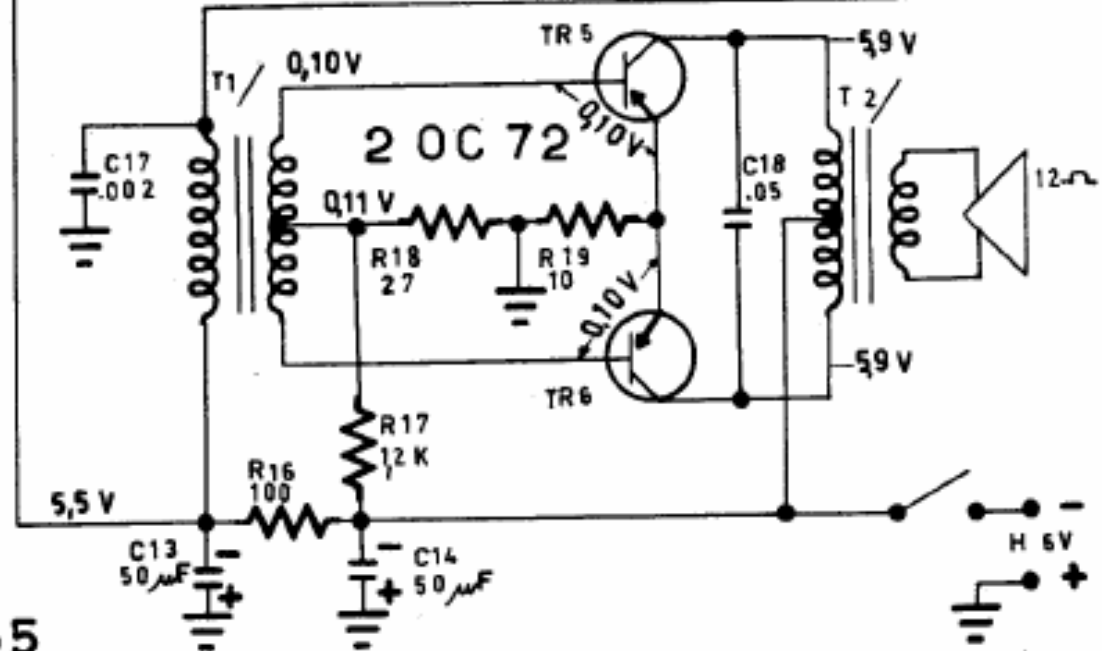


MF=462 Kc
 AF=530÷1620 Kc



ATLANTIC MOD. T 165

TENSIONI MISURATE CON VOLMETRO WESTON 20000 Ω/V